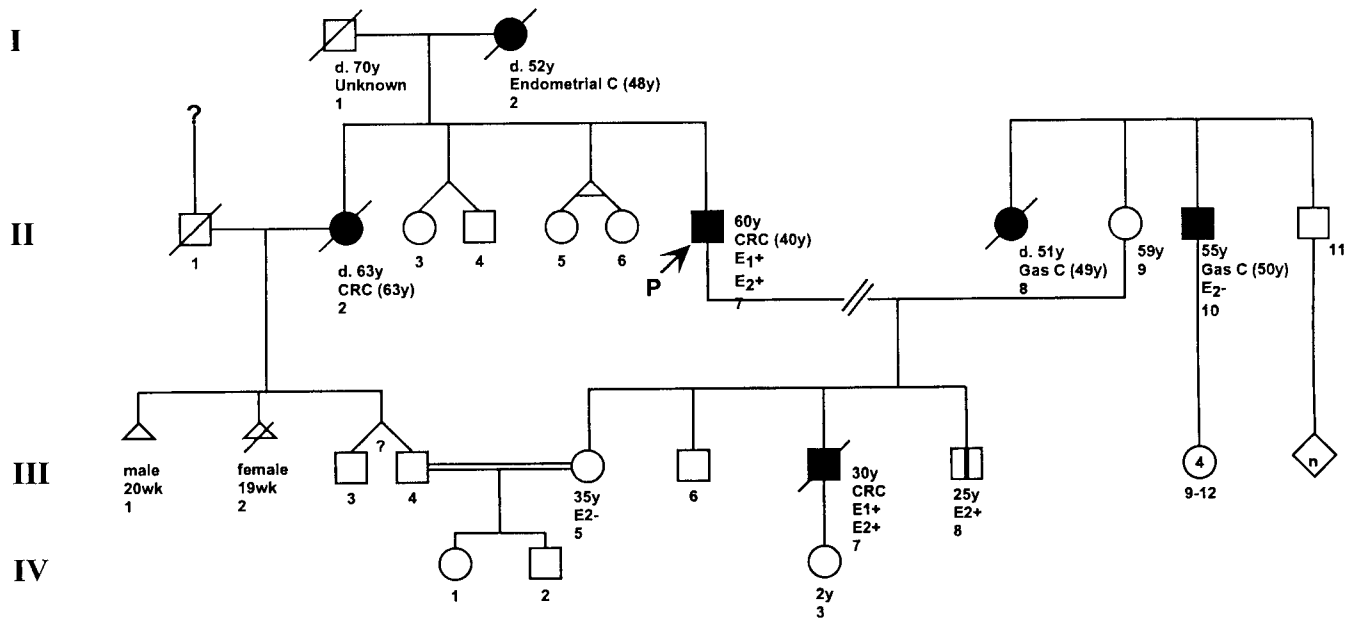


# Excerpt from the Recommended Pedigree Nomenclature

(For a full-description, please see Bennett RL, et al. Recommendations for Standardized Human Pedigree Nomenclature. *Am J Hum Genet* 56:745-752, 1995)



Male		Monozygotic twin		Proband (first affected individual coming to medical attention)	
Female		Dizygotic twin		Asymptomatic/ presymptomatic carrier	
Sex Unknown		Zygoty unknown		"E" represents key genetic evaluation, which may be clinical and/or laboratory test, and is to be defined in legend.	
Multiple individuals, number known		Spontaneous abortion		Different kinds of evaluation are shown by subscript (e.g. E1, E2, E3).	
Multiple individuals, number and sex unknown		Termination of pregnancy		"+" denotes positive result, "-" negative and "u" uninformative.	
Affected individual		Consanguinity			
Deceased individual		Divorced			
Family history not available					